



## EVERPURE® HELIA®

### HELIA APPLIANCE FOR INSTANT HOT OR CHILLED WATER

Get luxurious instant chilled and instant hot water at the tap with the all-in-one Pentair® Everpure Helia water appliance. The perfect complement to a Pentair Everpure commercial-grade water filtration system. Ideal for kitchens and wetbars, the Pentair Everpure Helia is perfect for drinking water, lemonade, frosty cold drinks in addition to hot tea, hot chocolate and quick meals like oatmeal, pasta and soup.

#### FEATURES

- Sealed ice bank cooling system ensures constant availability of chilled water
- Compact unit is easy to hide in any kitchen cabinet or wet bar
- Chills to an ideal temperature of 40° F (4.4° C)
- Heats to an ideal temperature of 200° F (93.3° C), with adjustable temperature control
- Hermetically sealed, maintenance-free compressor
- Ozone-friendly refrigerant



- Consumes only 870 watts of electricity when compressor is cycling
- Stainless steel components
- Ambient water port equipped
- Can be plumbed to coffee or ice machine

#### SPECIFICATIONS

- **Dimensions**  
10W x 16H x 18D in (25.4W x 40.6H x 45.7D cm)
- **Capacity**  
7.9 gallons (30 liters) per hour for chilled water and 2.1 gallons (7.95 liters) per hour for hot water
- **Temperature output**  
40° F (4.4° C) [based on 68° F (20° C) inlet water and 77° F (25° C) ambient]
- **Inlet/outlet**  
1/4" O.D. tubes for inlet and 6 mm O.D. tubes for outlets
- **Power**  
870 watts
- **Motor compressor**  
1/12 HP, 115 VAC, 60Hz single phase
- Adjustable thermostat is factory pre-set
- 3-wire service cord and plug included

## ORDERING INFORMATION

MODEL	PART NO	DESCRIPTION
Helia®	EV983040	Combination water appliance

## GENERAL INSTALLATION / OPERATION / MAINTENANCE REQUIREMENTS

Minimum requirements for incoming water – Water pressure: 14.5 psi; 0.5 gpm (use a booster pump to increase water requirements).

Install a pressure reducer when water pressure exceeds 43.5 psi.

Install the appliance away from heat sources and direct sunlight.

Do not install the appliance outdoors or in damp locations.

Minimum installation space – 2.5 inches from adjacent surfaces for proper air circulation around appliance.

The appliance generates heat, so external venting may be required when it is installed in a cabinet.

Appliance must be supported on all four foot pads.

Must be used with the Pentair Everpure Helia Faucet (EV900083/87).

## DRINKING WATER FAUCETS\*



### DESIGNER SERIES

Polished Stainless Steel EV900083  
Brushed Stainless Steel EV900087



### CLASSIC SERIES

Polished Stainless Steel EV900720  
Brushed Stainless Steel EV900721



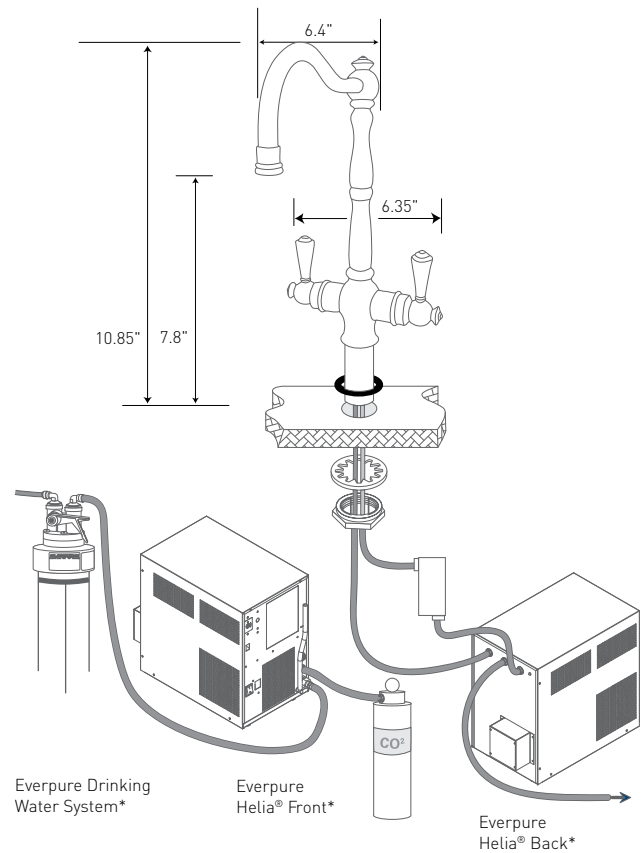
### CONTEMPORARY SERIES

Polished Stainless Steel EV900820  
Brushed Stainless Steel EV900821



### VICTORIAN SERIES

Polished Stainless Steel EV900620  
Brushed Stainless Steel EV900621



This drinking water cooler is approved by Underwriters Laboratories Inc. in accordance with ANSI/UL 399.

\*Faucet and filtration system sold separately.

Everpure®, Micro-Pure®, Helia® and the silver canister color are registered trademarks of Pentair Filtration Solutions, LLC ©2013.

**Warranty** – Everpure Residential Helia Water Appliance Products: One (1) Year Limited Warranty – Any warranty claims for residential Everpure products must be received by Everpure within one (1) year from the date of purchase.



## FILTRATION & PROCESS

5730 NORTH GLEN PARK ROAD, MILWAUKEE, WI 53209  
P: 262.238.4400 | F: 262.238.4404 | WWW.PENTAIRAQUA.COM | WWW.RESIDENTIAL.EVERPURE.COM | CUSTOMER CARE: 800.279.9404

All Pentair trademarks and logos are owned by Pentair, Inc. or its affiliates. All other registered and unregistered trademarks and logos are the property of their respective owners. Because we are continuously improving our products and services, Pentair reserves the right to change specifications without prior notice. Pentair is an equal opportunity employer.

310913 REV D JL14 © 2014 Pentair Residential Filtration, LLC. All Rights Reserved.